



20 January 2021

ENERGEX
GPO Box 1461
Brisbane Q 4001
C/- contestable@energyq.com.au

Dear Sir/Madam,

**ENERGEX OVERHEAD MAINS - EASEMENT A - LOT 2 SP273404
41 GLENBROOK DRIVE, NAMBOUR OUR REFERENCE NUMBER AC1115-E
Energex Reference HBD 7076510.**

We have conducted an inspection and identified the ground line and overhead line profile as shown on our plan AC1115-E.

Our investigation shows the easement must be adjusted to provide adequate horizontal clearance from the overhead 33kV and 11kV conductors and to allow suitable access for Energex vehicles, in accordance with Energex Work Category Specification 1.5.

The section of easement situated on the western boundary on the development is currently 6.0m in width. We proposed sections of the easement be extended to allow for a horizontal clearance of 3.0m, including conductor blowout, and to position existing Energex pole P145645 inside the easement. The northern section of the easement running east to west has an existing width of 12.0m. This section of the easement will be reduced with the extension of road reserve. However, we propose extending the easement south into the proposed property frontage of lots 2-6 for a maximum width of 2.5m at Energex pole X145643. The extension into private property accounts for a horizontal clearance of 3.0m (including conductor blowout).

The overhead line profile suggests at temperature conditions 110°C for 33kV and 75°C for 11kV, the overhead conductors remain above the minimum vertical clearance requirements of 5.5m for private driveways and elevated vehicle access. The existing ground line adjacent to the Energex poles is to be levelled to a maximum slope of 7° to allow vehicles to conduct work on poles. Proposed finish levels from Civil Works plan C3602-ET102 suggest that the ground line surrounding the poles on the Western boundary of the development will not exceed 7°.

Work areas are to be provided at each pole, running parallel with the fence line. The work areas are to be 2.5m in width and 20.0m in length. These areas will allow for Energex work vehicles and 5m of additional clearance for the associated crane slew.

If you require any further information, please contact the undersigned.

Yours sincerely

A handwritten signature in black ink, appearing to read 'Shai Whittaker', is written over a light blue horizontal line.

Shai Whittaker
Graduate Electrical Engineer

Enquiries

John McKenna

Telephone

0419 707 166

Email

auspowerconnect
@bigpond.com

Office

23 Beltana Crescent
Buddina QLD 4575

Postal

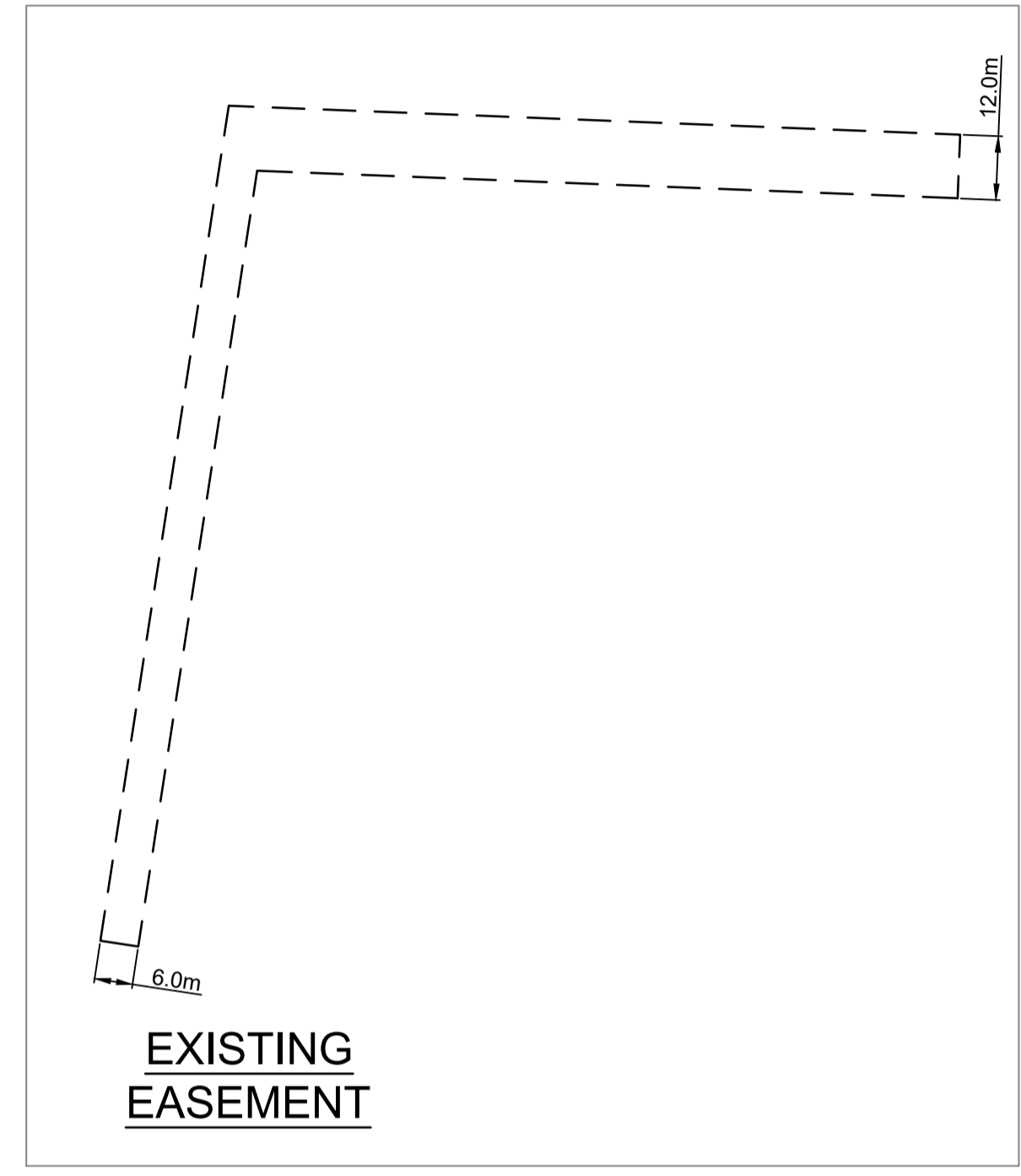
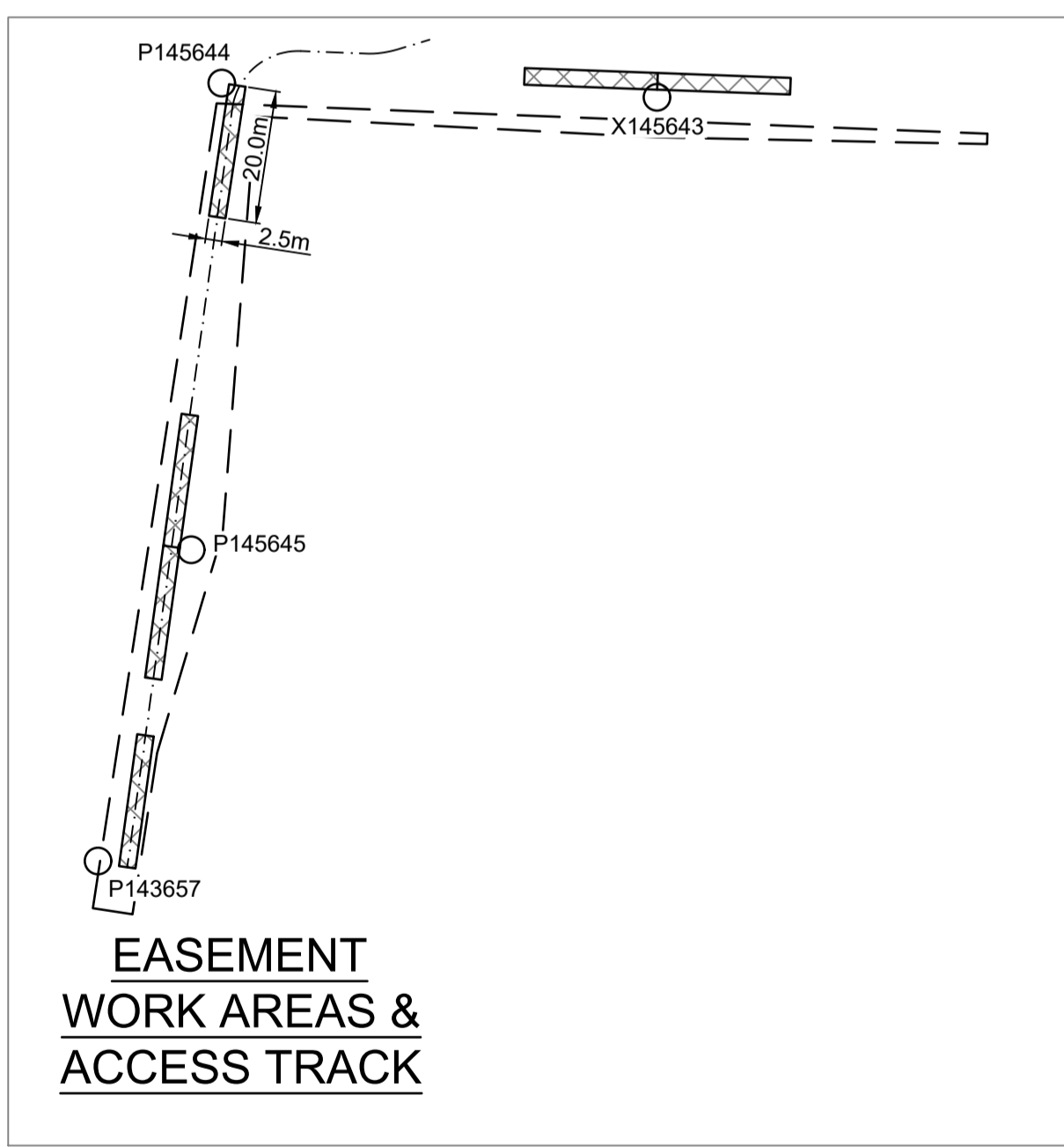
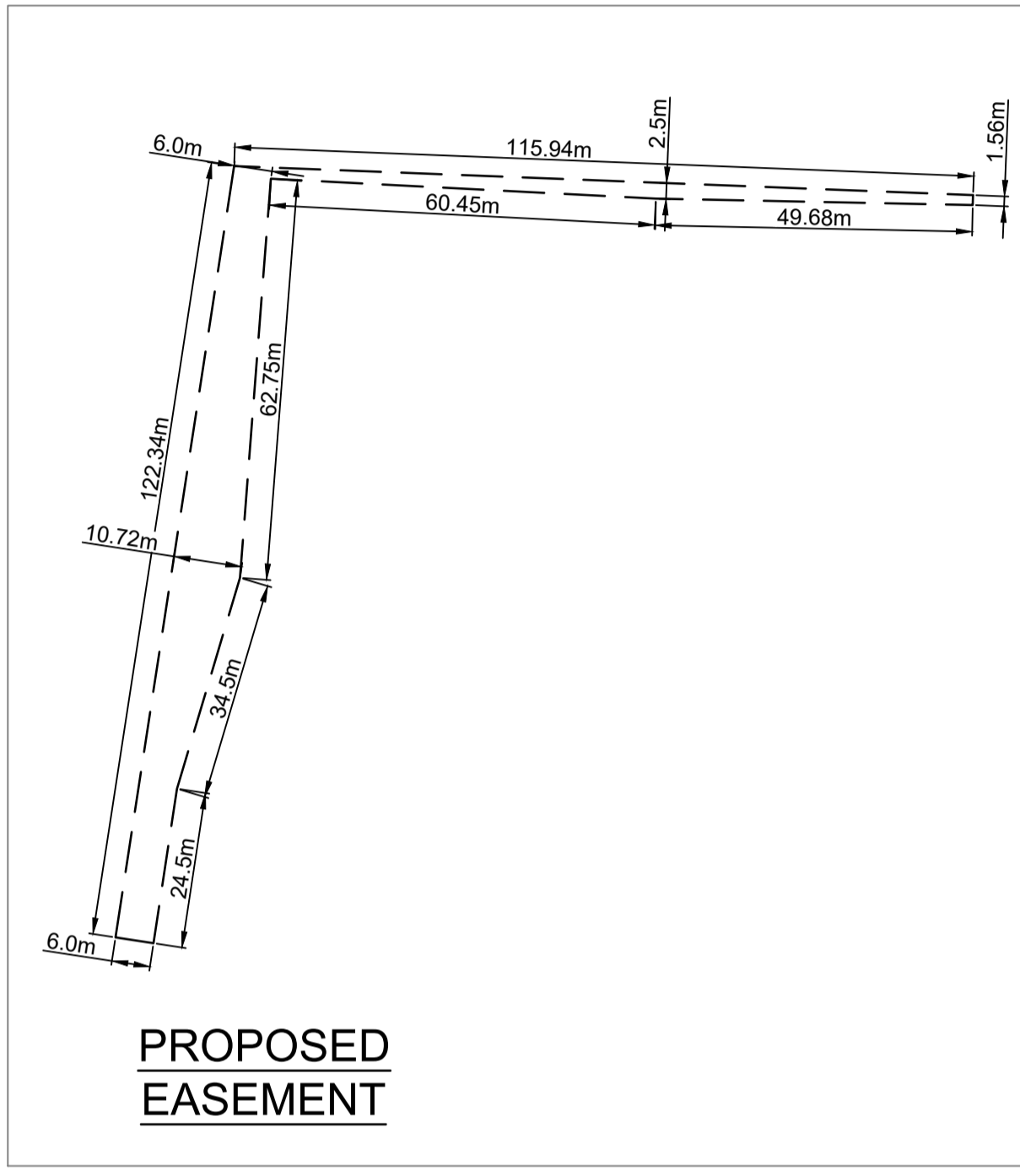
PO Box 531
Buddina QLD 4575
auspowerconnect.com.au

Auspower

Connect Pty Ltd
ABN 74 166 366 883

Reference AC1115-E

LEGEND	
SYMBOL	DESCRIPTION
①	STATION NUMBER
—	EXISTING OH CONDUCTOR
—	PROPOSED OH CONDUCTOR
○	HV POLE
⊗	POLE TRANSFORMER
⊗	HV AIR BREAK OPEN
⊗	HV AIR BREAK CLOSED
⊗	LV DISC LINK OPEN
⊗	LV DISC LINK CLOSED
⊗	HV POLE TERMINATION
⊗	LV POLE TERMINATION
—	ACCESS TRACK
---	EXISTING EASEMENT
---	PROPOSED EASEMENT
■	EXISTING SUPPLY PILLAR
■	PROPOSED SUPPLY PILLAR
■	LINK PILLAR
⊗	PADMOUNTED TRANSFORMER
⊗	EXISTING CABLE IN CONDUIT
⊗	PROPOSED CABLE IN CONDUIT
⊗	MEN (EARTH GROUND STAKE)
⊗	ELECTRICAL CABLE MARKER
⊗	CUSTOMER SWITCHBOARD
⊗	PIT
⊗	S70 STREET LIGHT
⊗	CFL 32 STREET LIGHT
⊗	LV SWITCH FUSE UNIT
⊗	TREE
▨	ENERGEX EXCLUSION ZONE
▨	ENERGEX WORK AREA



- GENERAL NOTES**
- ALL WORK AREAS SURROUNDING POLES ARE POSITIONED PARALLEL TO FENCE AND SHARE DIMENSIONS 20.0m X 2.5m.
 - WORKING PLATFORMS TO ALLOW FOR THE FOLLOWING:
 - 12-15m HEAVY RIGID BOGEY WHEEL DRIVE VEHICLE.
 - ADDITIONAL 5m CLEARANCE FOR CRANE SLEW.
 - HYDRAULIC LANDING LEGS (EXTENDABLE).
 - LEVEL GROUND MUST NOT EXCEED 7°.
 - 5.5m VERTICAL CLEARANCE TO OVERHEAD CONDUCTORS IS ACHIEVED AT EXISTING GROUND LINE (110°C 33kV, 75°C 11kV).
 - 3.0m HORIZONTAL EXCLUSION ZONE INCLUDES BLOW OUT (WIND LOAD CONDITION 15°C).
 - VEHICLE ACCESS TRACK TO COMPLY WITH ENERGEX WORK CATEGORY SPECIFICATION WCS1.5.

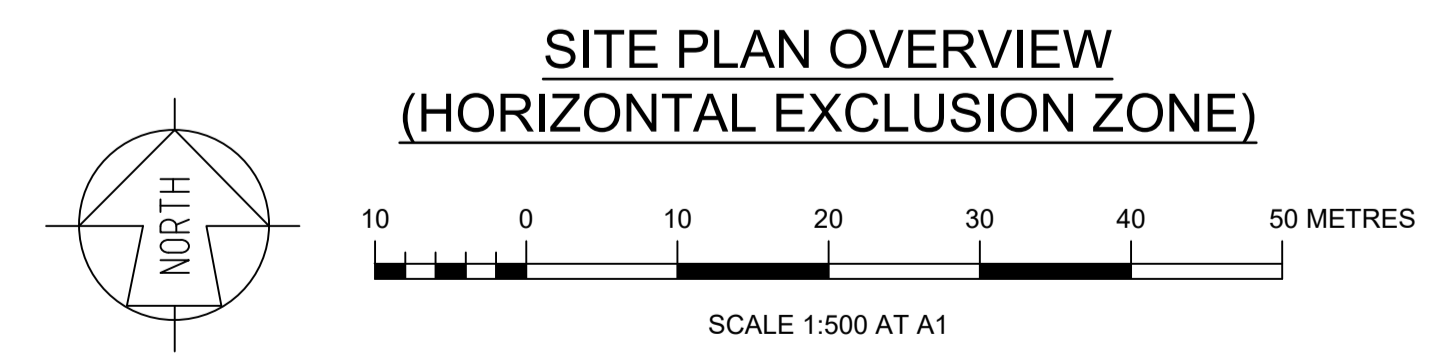
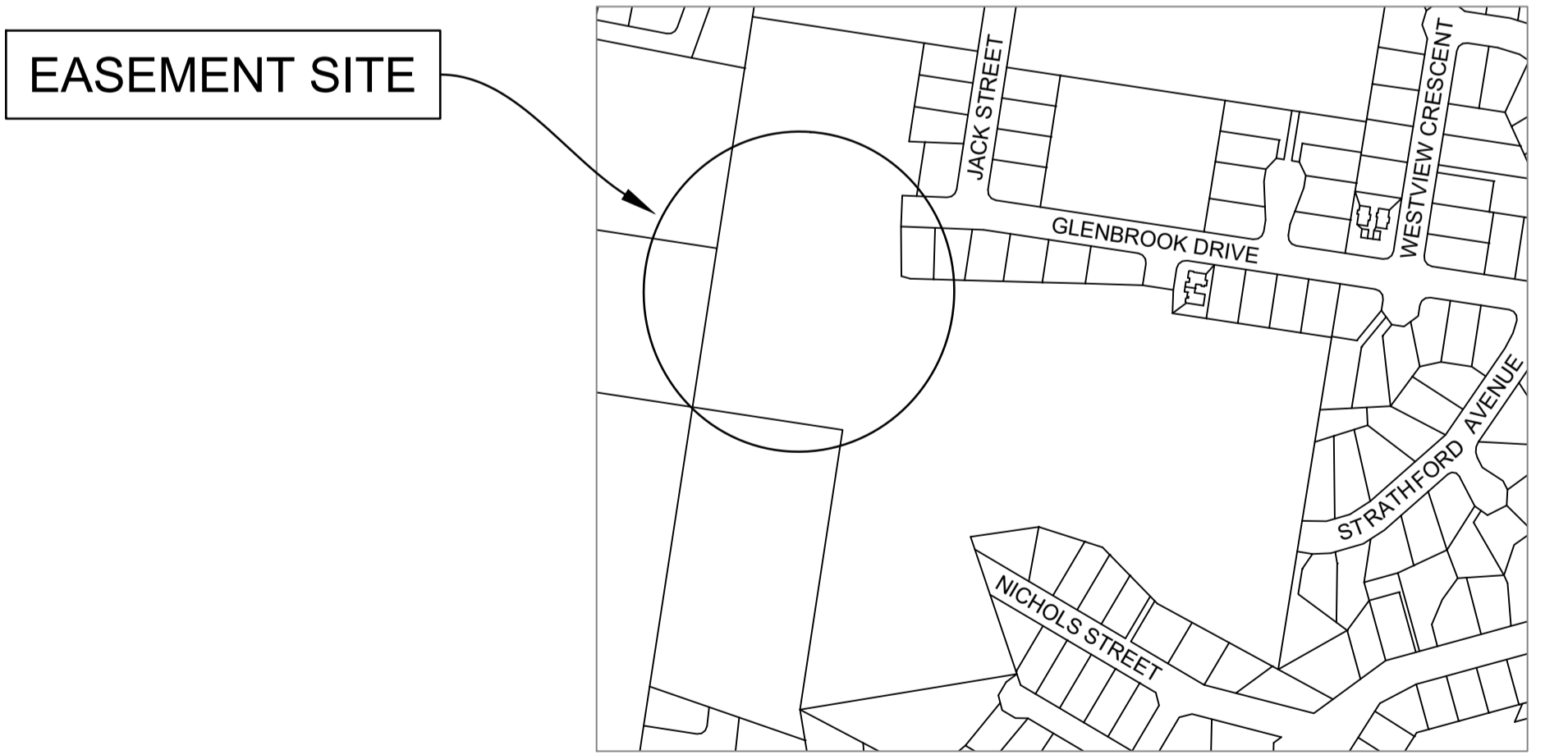
STANDARDS AND SPECIFICATIONS

THIS WORKS PLAN IS TO BE READ IN CONJUNCTION AND COMPLY WITH THE FOLLOWING ENERGEX MANUALS AND SPECIFICATIONS:

- OVERHEAD DESIGN MANUAL

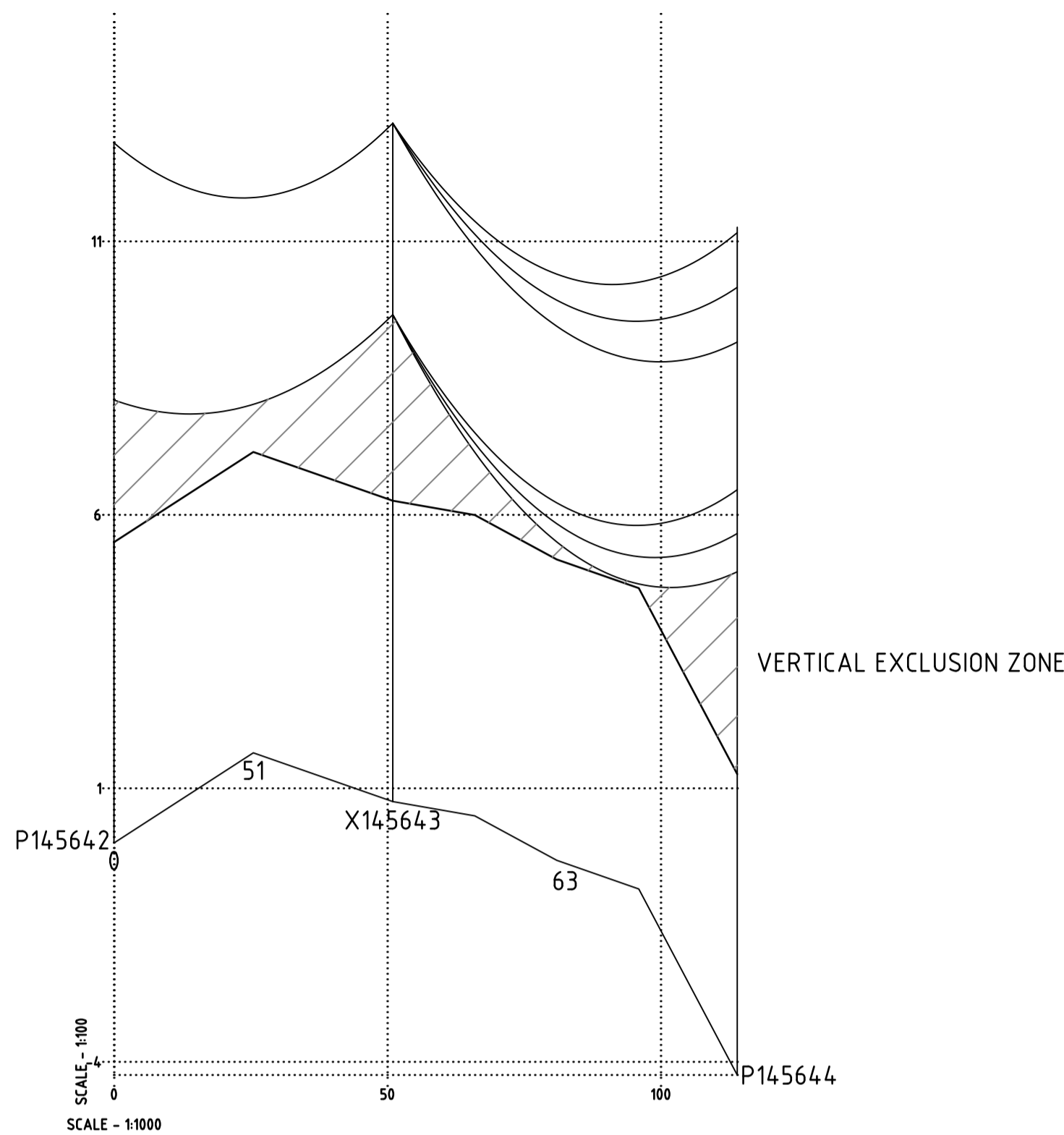
SURVEY DETAILS

PRINCIPAL'S SURVEYOR TO PEG ALL EASEMENT BOUNDARIES.



ISSUE	DESCRIPTION	DATE	DEVELOPER DETAILS			ALIGNMENTS			WORKS COORDINATOR			APPROVED:			ENERGEX EASEMENT - EMT A RP865281			AUSPOWER CONNECT PROJECT NO.					
A	ORIGINAL	20/01/2021	Auspower Connect Pty Ltd PO Box 531 Buddina, QLD 4575 Mob 0419 707 166 auspowerconnect@bigpond.com ABN 74 166 366 883 <i>This drawing is the property of Auspower Connect Pty Ltd and must not be used, retained or copied without written permission</i>			PARKER PROPERTY NINGI PTY LTD PARKER PROPERTY NINGI PTY LTD MATTHEW CLARKE 0403 244 894 matthew@parkerpropertygroup.com			ENERGY OH 3.0m ENERGY UG - STREETLIGHTS - TELSTRA - GAS - HP GAS - WATER - STORMWATER - SEWER -			PARENT PROJECT NO. - WORK REQUEST NO. - LOTS LOT 2 SP273404 CANCELLING LOTS - D.A. OPW20/0535 LOCAL AUTHORITY Sunshine Coast Regional Council UBD REF Map 55 N13 PEGGED By Surveyor			JDM APPROVED DATE: 20/01/2021 CHECKED: J McKenna DESIGNER: S Whittaker PHONE: 0419 707 166 ISSUE DATE: 20/01/2021			D.A: OPW20/0535 ENERGY EASEMENT - OVERVIEW 41 GLENBROOK DRIVE, NAMBOUR 4560			AC1115-E SCALE: 1:500 HBD 7076510 ISSUE NO. A SHEET 1 OF 2 A1		

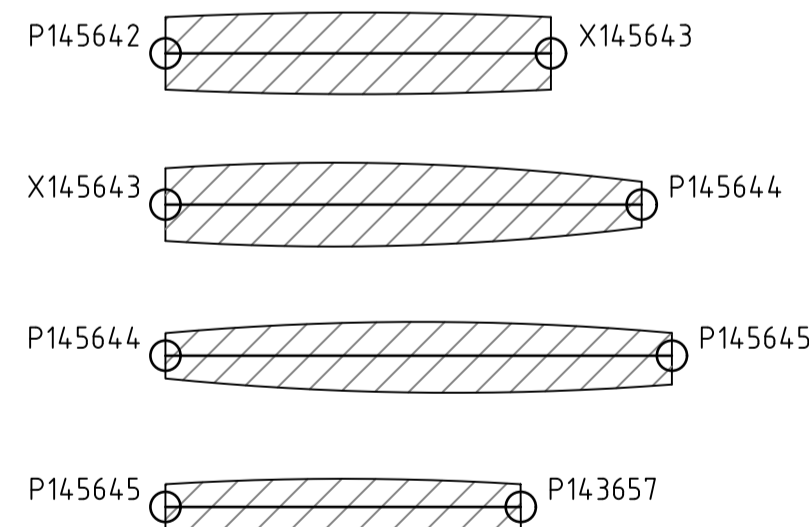
**FEEDER 345 (33kV) &
FEEDER NBR12A (11kV)
P145642 - P145644
LINE PROFILE**



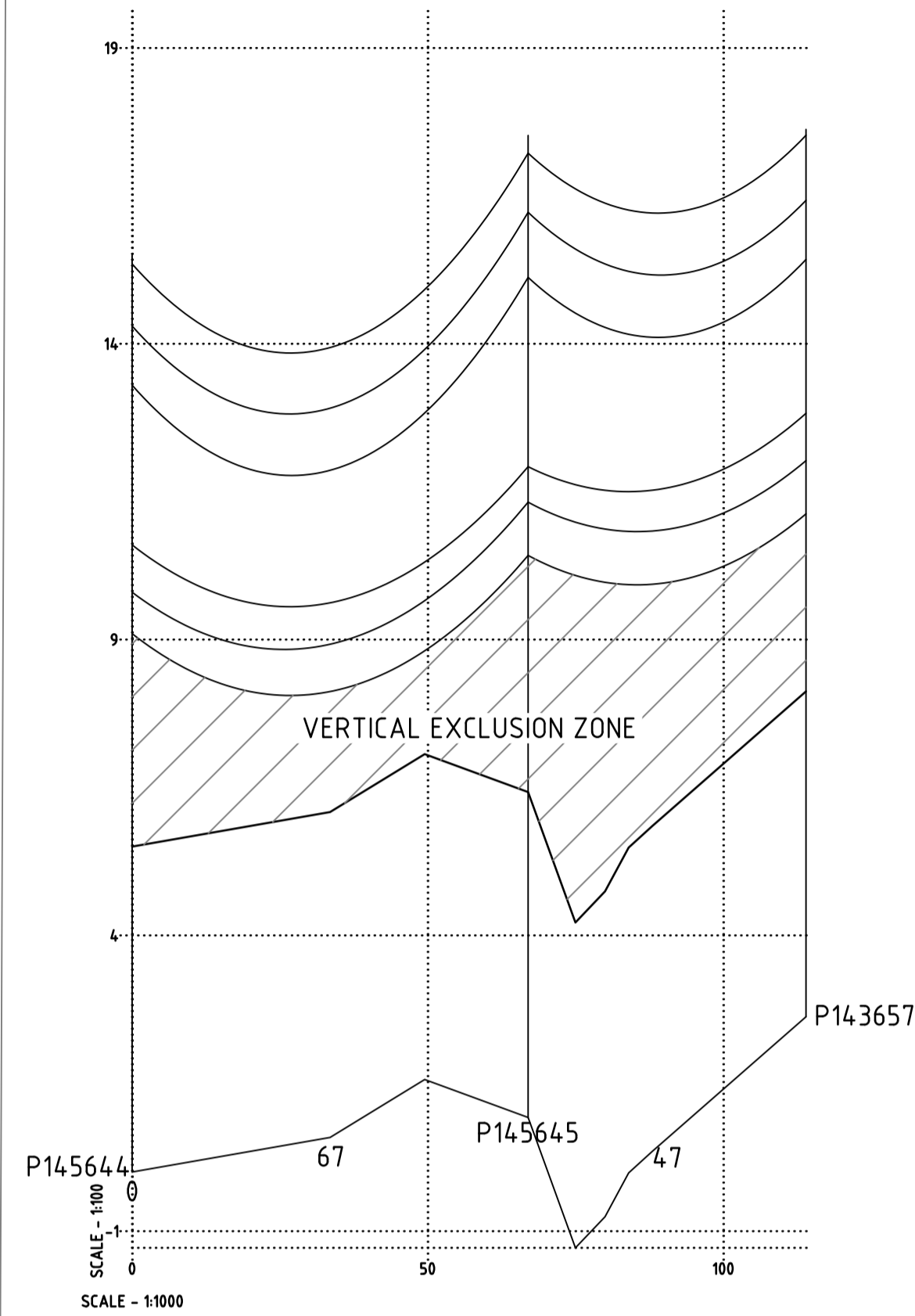
Circuit ID	L pole	L att ht	R pole	R att ht	Conductor	Sag	Span	Temperature	MES/RS	Tension	Tension Units	Segment	Actual no wind tens	Min clearance @ Ch	Blowout
hot	P145642	12.8	X145643	12.4	MO	1.18	50.99	110	54.8	76	Table	SS1	0.911	10.17 @ 26.01	1.28
hot	X145643	12.4	P145644	15.4	MO	1.81	63	110	54.8	76	Table	SS2	0.911	10.68 @ 76	1.958
hot	X145643	12.4	P145644	14.4	MO	1.81	63	110	54.8	76	Table	SS3	0.911	10.2 @ 86	1.96
hot	X145643	12.4	P145644	13.4	MO	1.81	63	110	54.8	76	Table	SS4	0.911	9.61 @ 90	1.963
hot	P145642	8.1	X145643	8.9	MO	0.86	50.99	75	62.8	105	Table	SS5	1.251	6.39 @ 25.01	0.996
hot	X145643	8.9	P145644	10.7	MO	1.92	63	75	63	328	Table	SS6	0.861	6.48 @ 87	1.975
hot	X145643	8.9	P145644	9.9	MO	1.92	63	75	63	328	Table	SS7	0.861	6 @ 90	1.977
hot	X145643	8.9	P145644	9.2	MO	1.92	63	75	63	328	Table	SS8	0.861	5.56 @ 93	1.98

ID	Conductor	RS	Tension	Temperatures	Poles
SS1	3 x MO - Moon	54.8	76 (Table)	cold (-5), uplift (0), standard (15), hot (110)	P145642, X145643
SS2	1 x MO - Moon	54.8	76 (Table)	cold (-5), uplift (0), standard (15), hot (110)	X145643, P145644
SS3	1 x MO - Moon	54.8	76 (Table)	cold (-5), uplift (0), standard (15), hot (110)	X145643, P145644
SS4	1 x MO - Moon	54.8	76 (Table)	cold (-5), uplift (0), standard (15), hot (110)	X145643, X145644
SS5	3 x MO - Moon	62.8	105 (Table)	cold (-5), uplift (0), standard (15), hot (75)	P145642, X145643
SS6	1 x MO - Moon	63	328 (Table)	cold (-5), uplift (0), standard (15), hot (75)	X145643, P145644
SS7	1 x MO - Moon	63	328 (Table)	cold (-5), uplift (0), standard (15), hot (75)	X145643, P145644
SS8	1 x MO - Moon	63	328 (Table)	cold (-5), uplift (0), standard (15), hot (75)	X145643, P145644

**3.0m HORIZONTAL EXCLUSION ZONES
(15°C BLOWOUT INCLUDED)**



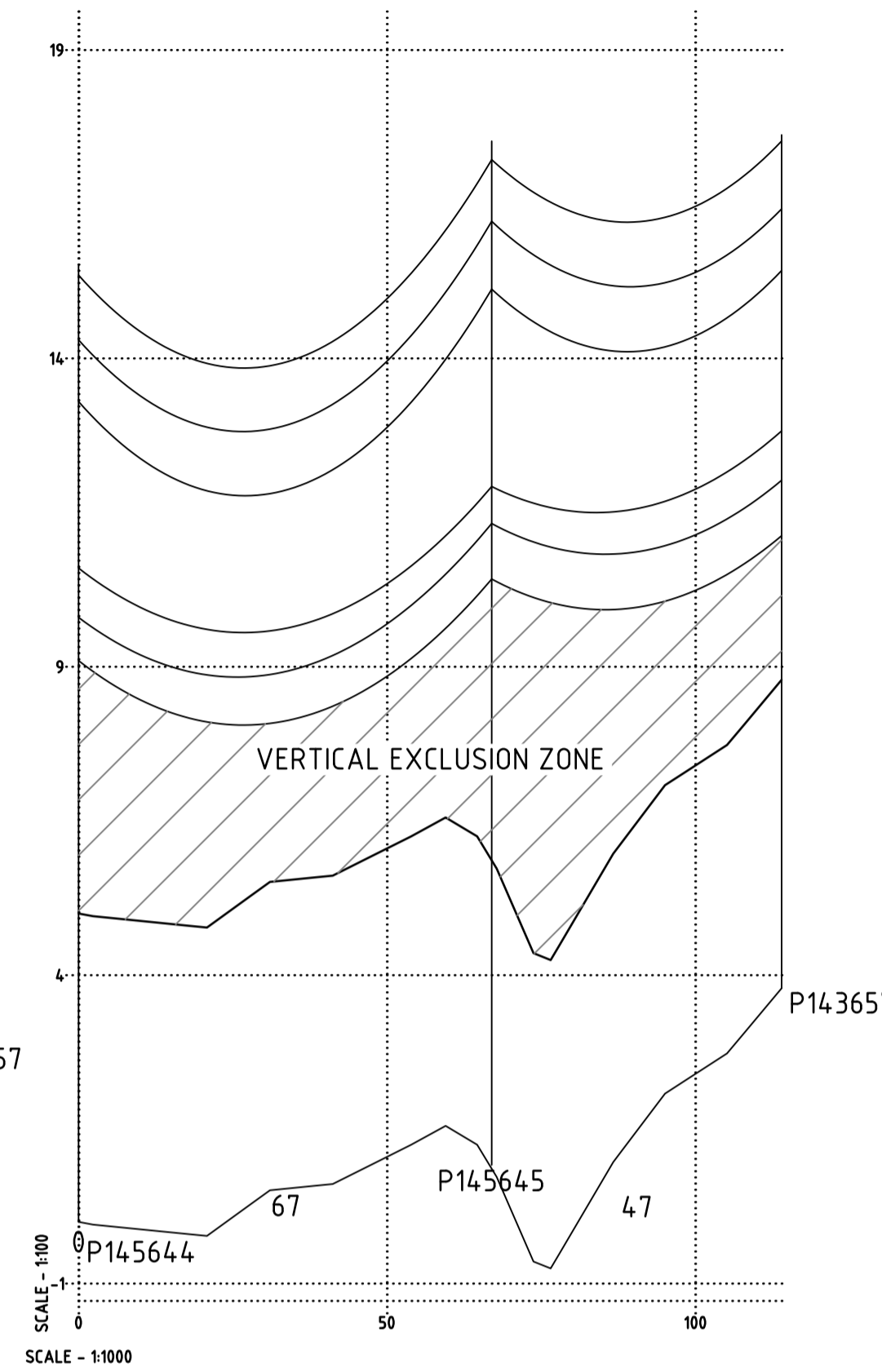
**FEEDER 345 (33kV) &
FEEDER NBR12A (11kV)
P145644 - P143657
LINE PROFILE
(EXISTING SURFACE LEVEL)**



Circuit ID	L pole	L att ht	R pole	R att ht	Conductor	Sag	Span	Temperature	MES/RS	Tension	Tension Units	Segment	Actual no wind tens	Min clearance @ Ch	Blowout
hot	P145644	15.35	P145645	16.3	MO	2.35	66.99	110	59.6	236	Table	SS1	0.794	13.22 @ 4.101	2.403
hot	P145645	16.3	P143657	14.9	MO	1.16	4.7	110	59.6	236	Table	SS1	0.794	14.86 @ 110	1.181
hot	P145644	14.3	P145645	15.3	MO	2.35	66.99	110	59.6	236	Table	SS2	0.794	12.2 @ 4.101	2.403
hot	P145645	15.3	P143657	13.8	MO	1.16	4.7	110	59.6	236	Table	SS2	0.794	13.77 @ 110	1.181
hot	P145644	13.3	P145645	14.2	MO	2.35	66.99	110	59.6	236	Table	SS3	0.794	11.14 @ 4.201	2.403
hot	P145645	14.2	P143657	12.8	MO	1.16	4.7	110	59.6	236	Table	SS3	0.794	12.76 @ 110	1.181
hot	P145644	10.6	P145645	11	MO	1.64	66.99	75	59.6	128	Table	SS4	1.134	8.74 @ 4.801	1.862
hot	P145645	11	P143657	10.2	MO	0.81	4.7	75	59.6	128	Table	SS4	1.134	10.2 @ 114	0.916
hot	P145644	9.8	P145645	10.4	MO	1.64	66.99	75	59.6	128	Table	SS5	1.134	8.08 @ 4.701	1.862
hot	P145645	10.4	P143657	9.4	MO	0.81	4.7	75	59.6	128	Table	SS5	1.134	9.4 @ 114	0.916
hot	P145644	9.1	P145645	9.5	MO	1.64	66.99	75	59.6	128	Table	SS6	1.134	7.24 @ 4.801	1.862
hot	P145645	9.5	P143657	8.5	MO	0.81	4.7	75	59.6	128	Table	SS6	1.134	8.5 @ 114	0.916

ID	Conductor	RS	Tension	Temperatures	Poles
SS1	1 x MO - Moon	59.6	236 (Table)	cold (-5), uplift (0), standard (15), hot (110)	P145644, P145645, P143657
SS2	1 x MO - Moon	59.6	236 (Table)	cold (-5), uplift (0), standard (15), hot (110)	P145644, P145645, P143657
SS3	1 x MO - Moon	59.6	236 (Table)	cold (-5), uplift (0), standard (15), hot (110)	P145644, P145645, P143657
SS4	1 x MO - Moon	59.6	128 (Table)	cold (-5), uplift (0), standard (15), hot (75)	P145644, P145645, P143657
SS5	1 x MO - Moon	59.6	128 (Table)	cold (-5), uplift (0), standard (15), hot (75)	P145644, P145645, P143657
SS6	1 x MO - Moon	59.6	128 (Table)	cold (-5), uplift (0), standard (15), hot (75)	P145644, P145645, P143657

**FEEDER 345 (33kV) &
FEEDER NBR12A (11kV)
P145644 - P143657
LINE PROFILE
(PROPOSED FINISHED LEVEL)**



ISSUE	DESCRIPTION	DATE
A	ORIGINAL	20/01/2021

Auspower Connect Pty Ltd

PO Box 531
Buddina, QLD 4575
Mob 0419 707 166
auspowerconnect@bigpond.com
ABN 74 166 366 883
This drawing is the property of Auspower Connect Pty Ltd and must not be used, retained or copied without written permission

DEVELOPER DETAILS	ALIGNMENTS	WORKS COORDINATOR
Parker Property Ningi Pty Ltd	ENERGEX OH	-
Matthew Clarke	ENERGEX UG	-
0403 244 894	STREETLIGHTS	-
matthew@parkerpropertygroup.com	TELSTRA	-
PROJECT MANAGER DETAILS	GAS	-
Parker Property Ningi Pty Ltd	HP GAS	-
Matthew Clarke	WATER	-
0403 244 894	STORMWATER	-
matthew@parkerpropertygroup.com	SEWER	-

LOCAL AUTHORITY	LOCAL AUTHORITY	LOCAL AUTHORITY
Sunshine Coast Regional Council	Sunshine Coast Regional Council	Sunshine Coast Regional Council
Map 55 N13	Map 55 N13	Map 55 N13
By Surveyor	By Surveyor	By Surveyor

APPROVED:	APPROVED DATE:	CHECKED:	DESIGNER:	ISSUE DATE:
<i>J McKenna</i>	20/01/2021	J McKenna	S Whittaker	20/01/2021

ENERGEX EASEMENT - EMT A RP865281 D.A: OPW20/0535	ENERGEX EASEMENT - ENGINEERING INFORMATION
41 GLENBROOK DRIVE, NAMBOUR 4560	

AUSPOWER CONNECT PROJECT NO.	SCALE:	ENERGEX REFERENCE NO.
AC1115-E	1:500	HBD 7076510
ISSUE NO. A	SHEET 2 OF 2	A1